



INSET RANGE

INSTRUCTION MANUAL



CONTENTS

EU Directives and UKCA Standards.....	3
Important information and Health & Safety.....	4
Model dimensions.....	5
Woodwork attachment.....	6
Wall mounted installation	8
Riser installation	11
Front and side glass installation	12
Log layouts.....	14
Remote operation	15
Warranty	16

The following materials and components should be disposed of in accordance with the below table.

Metal - Steel or cast iron	Can be taken to a local recycling centre for reuse to reduce waste going to landfill.
Glass & Screens	Can be taken to a local recycling centre for reuse to reduce waste going to landfill.
Vermiculite	Non hazardous material. Vermiculite can be crushed up and used for plant bedding and ash used for composting or disposed of at a local recycling centre for reuse to reduce waste going to landfill.
Electrical components - Fans, heater elements, PCB's, Power pack's, LED's	Dispose at a local recycling centre In accordance with latest WEEE directive.
Log fuel effects	These logs contain refractory ceramic fibre materials which requires disposal in accordance with WEEE legislation.
Natural Wood	Can be taken to a local recycling centre for reuse to reduce waste going to landfill.

EU DIRECTIVES

All Aura Fires products meet the requirements of the EC Directives. These directives have been met by compliance with the following standards:

EU 2011-65/EU 2015/863 Restriction of Hazardous Substances.

References to the relevant designated standards used:

EN 55014-1:2006 + A1:2009 + A2:2011 Electromagnetic Compatibility.

EN 55014-2:2015 Electromagnetic Compatibility.

EN 61000-3-2:2014 Electromagnetic Compatibility (EMC). Limits. Limits for Harmonic Current Emissions.

EN 61000-3-3:2013 Electromagnetic Compatibility (EMC). Limits. Limitation of Voltage Changes, Voltage Fluctuations and Flicker.

EN 60335-1:2012 + A11:2014 Household and similar electrical appliances - Safety

EN 60335-2-30:2009+A11:2012 Household and similar electrical appliances. Safety. Particular requirements for room heaters

UKCA STANDARDS

All Aura Fires products are in conformity with the relevant UK Statutory Instruments (and their amendments).

2016 No. 1101 The Electrical Equipment (Safety) Regulations 2016

2016 No. 1091 The Electromagnetic Compatibility Regulations 2016

2012 No. 3032 The Restriction Of Use Of Certain Hazardous Substances In Electrical And Electronic Equipment Regulations 2012

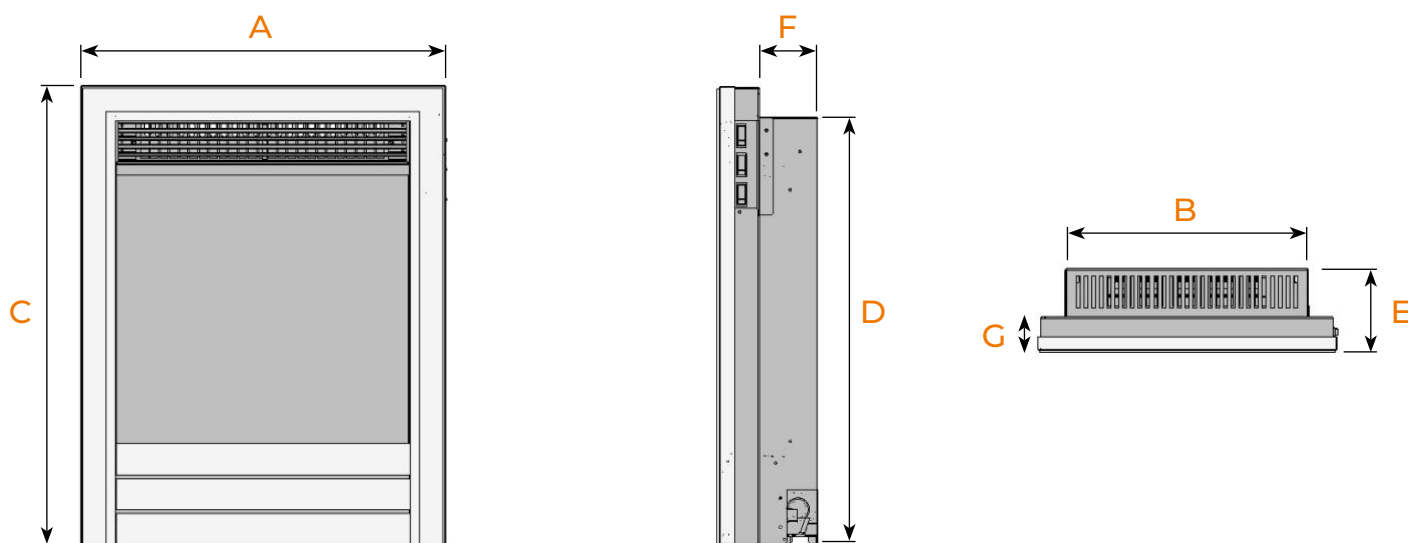


IMPORTANT INFORMATION AND HEALTH & SAFETY

When using electrical appliances, basic precautions should always be followed to reduce the risk of fire, electric shock, and injury to persons, including the following:

- Read all of the instructions carefully before using the appliance, only use this appliance as described in this manual. Any other use not recommended by the manufacturer may cause injury to persons, or damage to the appliance.
- Remove all packaging and dispose of it at an appropriate recycling facility.
- When transporting or storing the appliance and power lead, keep in a dry place, away from excessive vibration and store so as to avoid damage.
- This fireplace is hot when in use. To avoid burns, do not let bare skin touch hot surfaces. The trim around the heater outlet becomes hot during heater operation. DANGER: High temperatures may be generated under certain abnormal conditions.
- Do not install this appliance immediately in front of a fixed socket outlet.
- Do not install this appliance in the immediate surroundings of a bath, shower, swimming pool or any other area where the appliance could come into contact with water or humidity, e.g. a bathroom.
- Do not use in areas where gasoline, paint, or any flammable liquids are used or stored.
- This appliance is only suitable for indoor use, do not use outdoors.
- Do not cover the appliance, or let the air inlet/outlet to be obstructed in any way as it may overheat.
- Keep the power lead away from hot surfaces and the heater outlet. Do not route the power lead in front of the appliance, or under any carpets or rugs. Do not allow the power lead to be coiled up once installed, as this can cause overheating.
- This appliance must be firmly fixed to or recessed into, a flat internal wall.
- A maintenance hatch must be installed into the surrounding installation to allow future access.
- Always use a certified electrician should new circuits or outlets be required. And always use properly grounded, fused and polarised outlets.
- Where the power lead passes through any masonry wall, stone surround etc. ensure that suitable rubber bushes are fitted at any possible wear points.
- If the power lead is damaged do not use the appliance until it has been replaced.
- Do not use any external switching device, timers, or extension leads. Do not connect the appliance to a circuit that is frequently switched on and off by the utility.
- In the event of a malfunction, switch off the appliance, and disconnect it from the mains power supply. Have the appliance inspected by a certified electrician before reusing.
- Do not use the appliance if it is damaged. In the event of any damage to the appliance, please contact the retailer from whom the appliance was purchased.
- Any repairs must only be performed by a certified electrician.
- Extreme caution is necessary when any heater is used by, located near children or people of reduced mobility, and whenever the unit is left operating and unattended.
- Young children should be supervised to ensure that they do not play with the appliance.
- Disconnect from the power supply before performing any cleaning, maintenance or relocation of the unit. Do not use steam cleaners, or aerosols near the appliance.
- Do not burn wood or anything else in this appliance.
- Do not strike the glass. The glass used is toughened safety glass, if broken it will shatter into small chunks which are less likely to cause injury.
- Do not drill or screw any new holes into the appliance.

MODEL DIMENSIONS



Model	Width		Height		Depth		
	Overall (A)	Insert (B)	Overall (C)	Insert (D)	Overall (E)	Insert (F)	Frame (G)
C1 Abberley	460mm	382mm	605mm	550mm	355mm	300mm	55mm
C1 Stanford	460mm	382mm	605mm	550mm	355mm	300mm	55mm
C2 Abberley	460mm	382mm	605mm	550mm	255mm	200mm	55mm
C2 Stanford	460mm	382mm	605mm	550mm	255mm	200mm	55mm
C3 Abberley	460mm	382mm	605mm	550mm	205mm	150mm	55mm
C3 Stanford	460mm	382mm	605mm	550mm	205mm	150mm	55mm

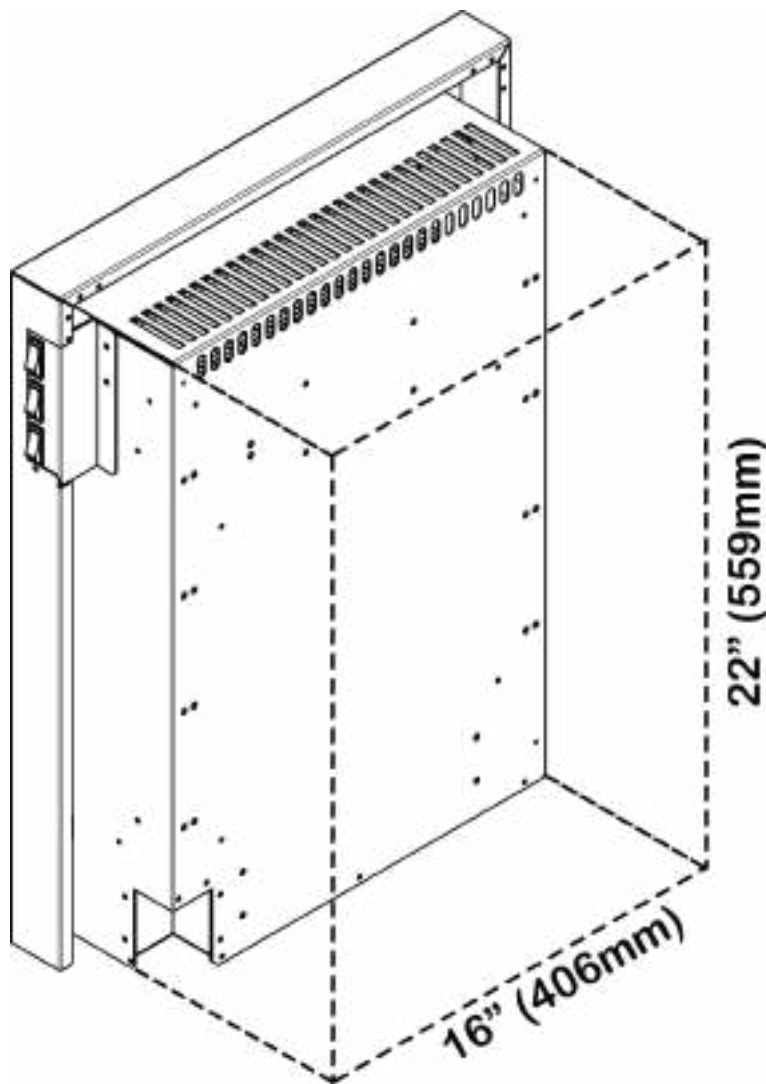
INSTALLATION

All our inset models are designed to be fitted into a standard 16" wide x 22" high opening. Before starting the installation check the dimensions of both the appliance and your opening to ensure that they align well.

Please note, if you are installing into an existing chimney breast it is imperative that the flue is adequately blocked off.

SLIDING IN

Once the dimensions have been checked, attach the electrical lead to the power inlet on the back lower right. Connect the electrical lead to the mains power, then slide the appliance into the prepared opening.

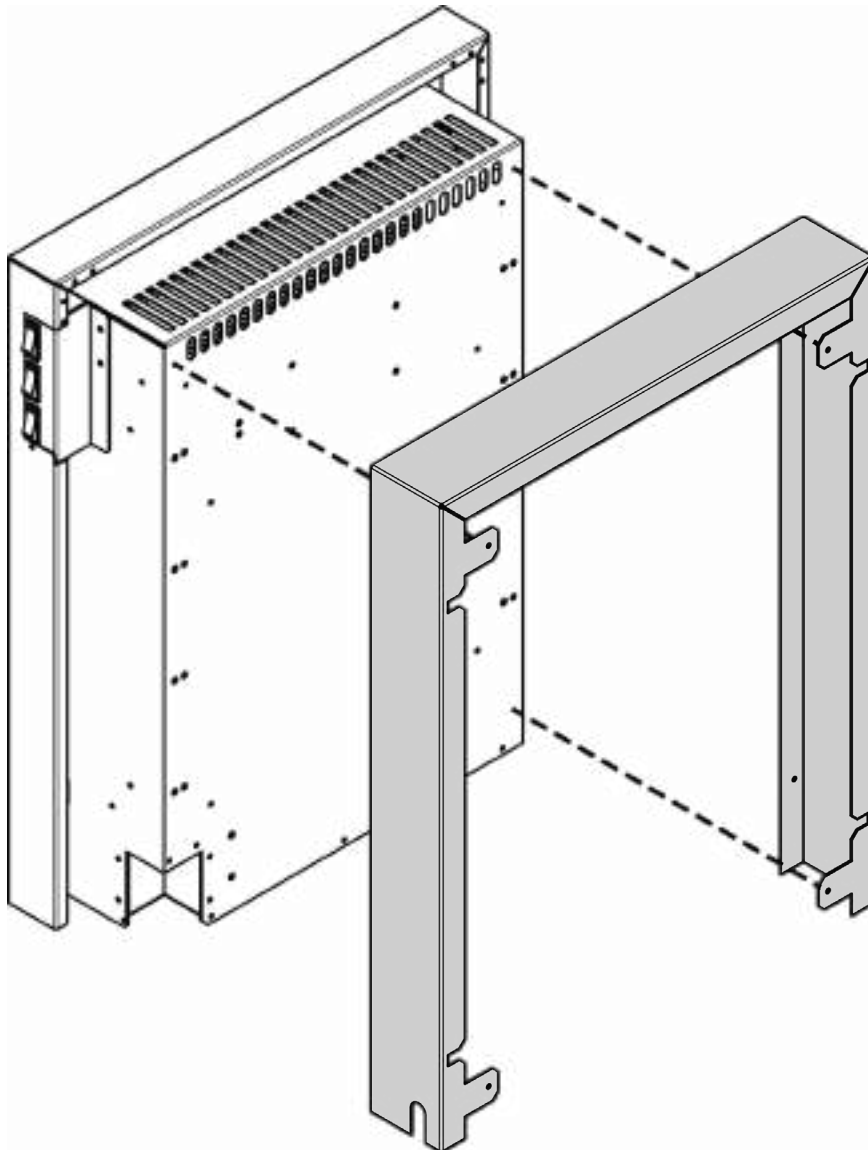


FITTING THE SPACER

To convert your appliance to a free-standing unit you can fit an optional spacer.

Before securing the spacer, attach the electrical lead to the inlet at the back bottom corner of the appliance. Once the spacer is fitted it will be more difficult to attach this.

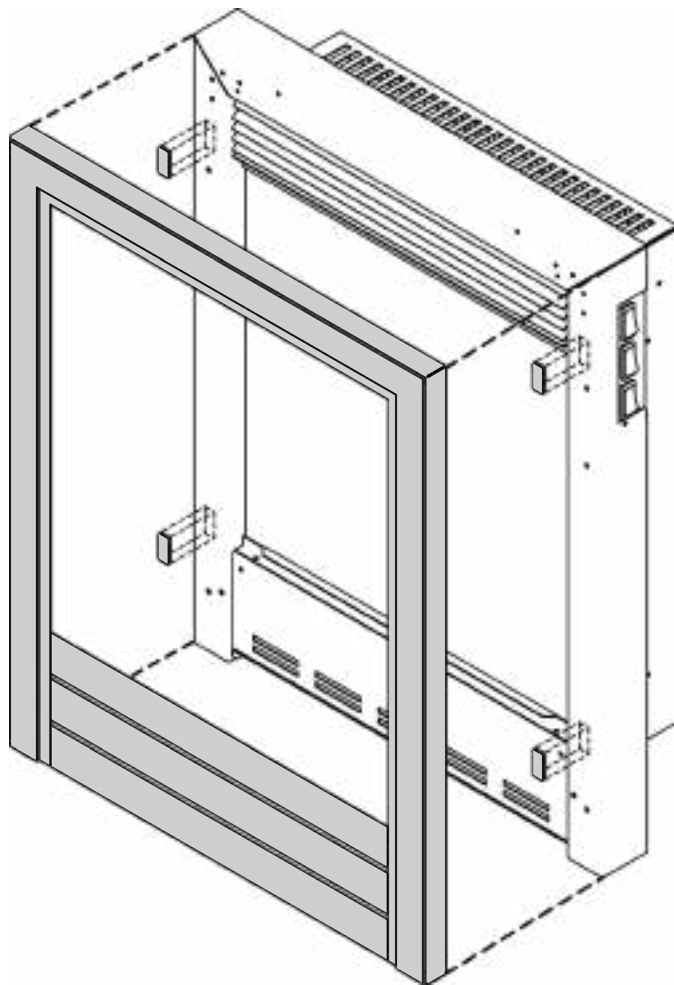
Position the spacer at the back of the appliance and line up the three screw holes on both appliance and spacer. Then screw in your three screws as shown below. The electrical lead can then slot into the semi circular hole, allowing the appliance to sit free-standing on the floor.



FITTING THE FASCIA

All our inset models are designed to be fitted into a standard 16" wide x 22" high opening. Before starting the installation check the dimensions of both the appliance and your opening to ensure that they align well.

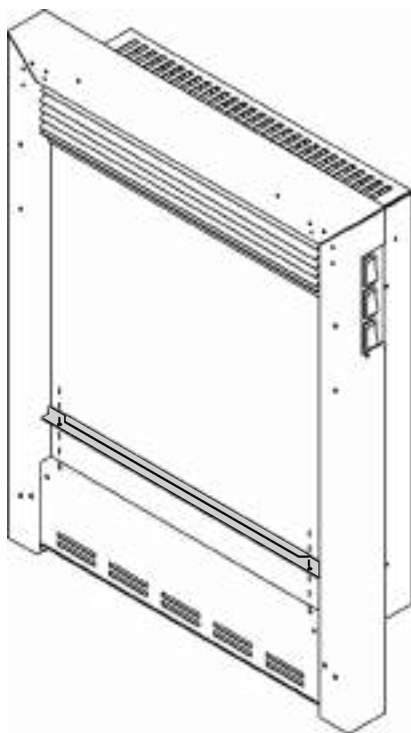
Please note, if you are installing into an existing chimney breast it is imperative that the flue is adequately blocked off.



REMOVING THE FRONT GLASS

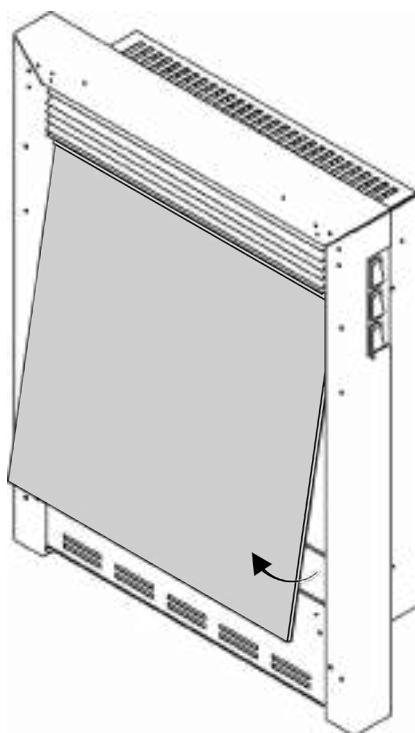
1

Unscrew the two screws, and remove the bottom glass retainer from the appliance.



2

The glass can now be removed from the appliance. To replace the glass, follow the steps in reverse.



FUEL SETS

When you have your appliance installed you can set up your log set/s. There is no right or wrong way to arrange your logs, the following images are an example of how you could lay them out.



ABBERLEY / STANFORD **C3**



ABBERLEY / STANFORD **C2**



ABBERLEY / STANFORD **C1**

REMOTE OPERATION

The remote handset comes pre-connected to the fireplace via Bluetooth. Simply remove the remote from its outer packaging, turn the fire to the **ON** position, and the remote will fully control your appliance. Please see below to identify the buttons and their functions. **Please note: The FX button located on the remote control is not applicable with these models.**



Top Left - Turn your fire ON and OFF



Middle Right - Turn your heater OFF



Top Right - Turn your feature lights ON and OFF



Bottom Left - Adjust the brightness.



Middle Left - Turn your heater ON

WARRANTY

Aura Fires 2-year warranty – 1 year parts & labour. Recieve an additional year by registering your Aura fireplace online - www.aurafires.co.uk

To receive your Extended Warranty your product must be registered with within one month of the purchase date or installation date. The commencement date for the warranty period is the date of purchase.

During the registration process, the details of the Retailer / Supplier from whom you purchased your product will be required for your Extended Warranty to be activated.

Any product purchased not registered within the stated time will carry a standard 12-month warranty, or minimum statutory warranty for your country. The Extended Warranty for your Aura product extends the standard 12-month warranty by a further 12 months to a total warranty period of 2 years.

You can register your purchase via the registration card supplied, or by registering your product online, and choosing to opt-in we can keep you up-to-date with useful technical updates or the latest product information that will help you gain even more enjoyment from your new Aura product.

It is a condition of the Extended Warranty that the installation complies with relevant Building Regulations and the rules in force, and is carried out in accordance with the Installation Instructions.

This Warranty can be transferred in the event that the Customer sells the appliance within the Warranty period. The Customer must inform Aura Fires in writing of the sale within 14 days of the resale. Failure to notify Aura Fires within 14 days will result in the Warranty becoming invalid. Please pass on the dated sales receipt as a proof of purchase to the new owner.

The product must be adequately serviced and maintained. This may include, but is not limited to, cleaning the filters and maintaining the silks. Please see your Aura Fires Installation and Operating Instructions for further information on how to service and maintain your Electric appliance.

During your extended warranty period, only genuine Aura Fires spare parts must be used in the servicing and maintenance of your Stove or Fireplace, these spare parts can be ordered from www.aurafires.co.uk in the UK, or from an Expert Supplier directly.

Consumable items such as glass, screens, bulbs, LED boards, filters and batteries which are either subject to normal wear and tear or parts that require replacement in connection with normal maintenance are not covered either by the original or the Extended Warranty.

Should you experience problems with your Aura product, any claim must be submitted first to the Retailer / Supplier from whom the product was purchased. Your Retailer / Supplier will either be able to offer immediate assistance, or having visited you, make contact with Aura Fires on your behalf.

WARRANTY

For a Service call to be arranged Aura Fires will require proof of registration. Any Warranty claim without the required information will be referred back to your Retailer / Supplier from whom you purchased it.

To progress any Warranty claims for damaged appliance/parts, paint or any visual defects, photographic or video evidence must be supplied. Failure to provide photographic evidence may result in the claim being delayed or refused.

A service call will only be logged once the retailer or installer has inspected the appliance and verified that there is a manufacturing fault. Any visit by a Aura Fires Engineer or approved third party will incur a service charge if, the engineer inspects the appliance and concludes there is no manufacturing fault.



1, Evonic House, Clifford Park, Clifford Lane,
Stratford-on-Avon, CV37 8HW

Tel: +44 (0)1789 263868 Fax: +44 (0)1789 293080

Email: sales@aurafires.co.uk

www.aurafires.co.uk