



AURA

FIRES

Built Ins
Product Specification
Sinton Range

Model	A	B	C	D	E
Sinton 800	804mm	836mm	587mm	300mm	762mm
Sinton 1030	1002mm	1034mm	415mm	300mm	587mm
Sinton 1250	1253mm	1285mm	415mm	300mm	587mm
Sinton 1500	1503mm	1535mm	415mm	300mm	587mm
Sinton 1800	1753mm	1785mm	415mm	300mm	587mm

Sizing Chart

- A - Width excl. plaster kit
- B - Width inc. plaster kit
- C - Opening height
- D - Depth excl. plaster kit
- E - Height

Converting to GF / GF2 / GF3

The appliance is shipped in the GF3 configuration, however all models can be converted to be GF or GF2 depending on your preference.



2 Year Warranty



Variable thermostat



Remote control



On / Off



LED



E Smart App



Dimmer



Heat on



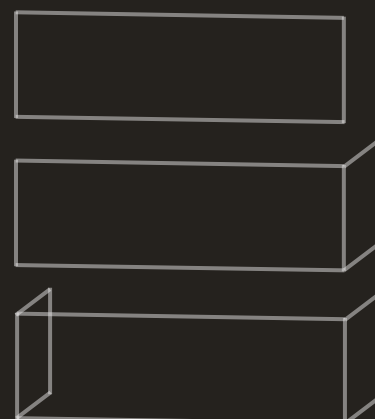
Heat off



Log fuel bed



Alexa & Google Assistant



The Built In range is supplied with the British Woodland Real Loose Logs





**NOW WITH
REAL LOOSE
LOGS!**

Product Specification

Built In Fire Sinton 800FD
(S800X300)

Height A 762mm

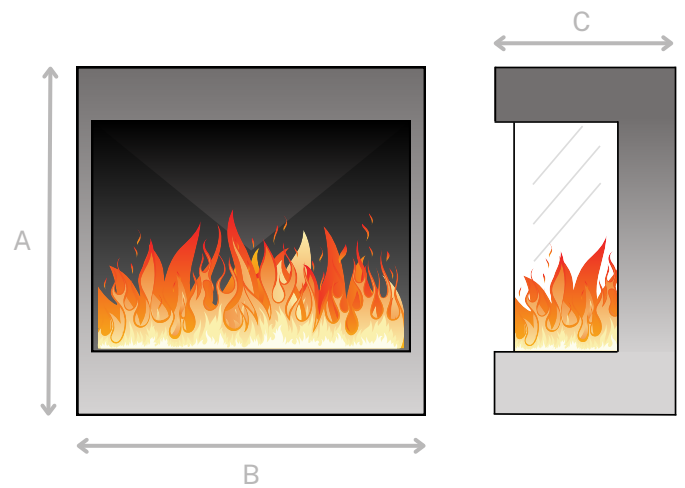
Width B 804mm

Depth C 300mm

Code | Colour AUBISINT800BLK

Available with 3 glass types

2 Year Warranty



Product Specification

Flame Effect Single

Flame Colour Orange

Log Set British Woodland

Engine Flame Sinton

Fuel Type Electric

Controls Remote

E-Smart Yes

App Technology Yes

Heat Output 1500w

Heat Settings Variable

Variable Thermostat Yes

Lamp Style LED

Power Cord 1.8m Kettle

Safety Cut Out Yes

Core Material Steel | Metal

Accessories

Product Specification

Launch Date July 2023

Brand Aura

Product Category Built Ins

Model Sinton 800 FD

Country of Origin UK

UKCA Yes

NICA Yes

CE (Europe) Yes

LOT 20 Yes

WEEE Yes

Packaging

Box Height 1000

Box Width 1150

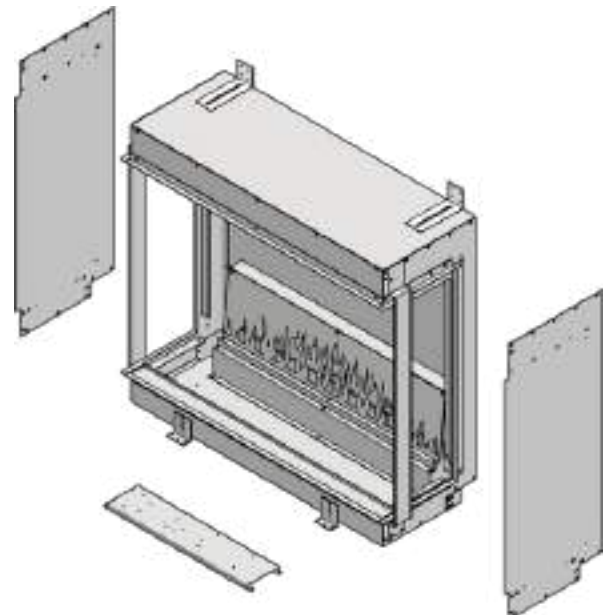
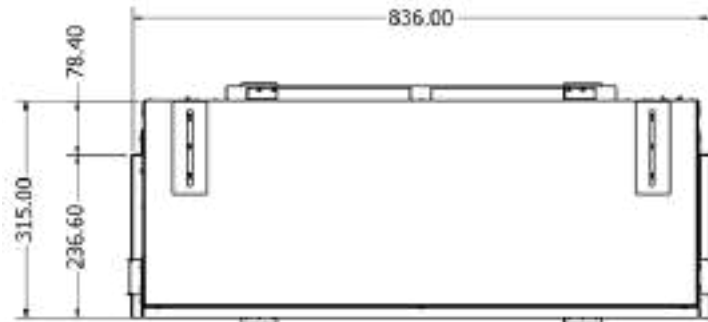
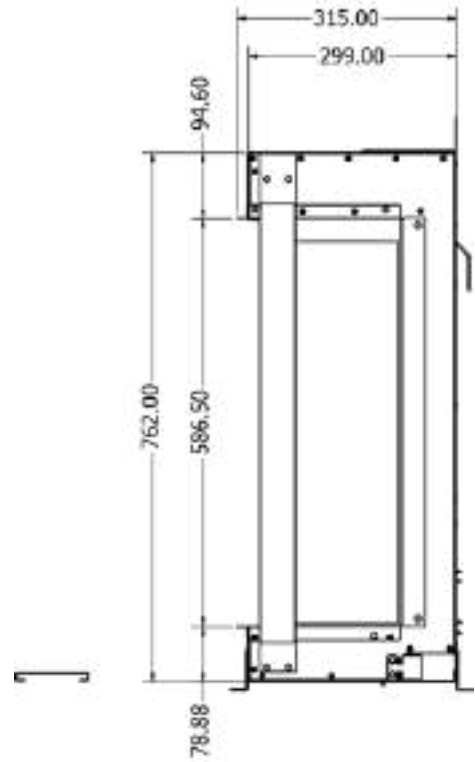
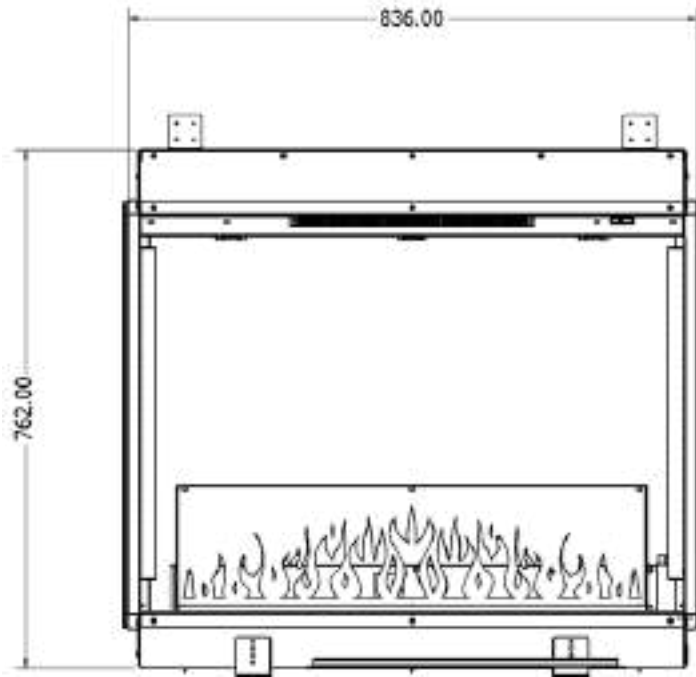
Box Depth 430

Pallet Width 995

Pallet Depth 400

Units per Pallet 1 (Purpose built pallet)

Weight 40kg





**NOW WITH
REAL LOOSE
LOGS!**

Product Specification

Built In Electric Sinton 1030FD
(S1000x300)

Height A 587mm

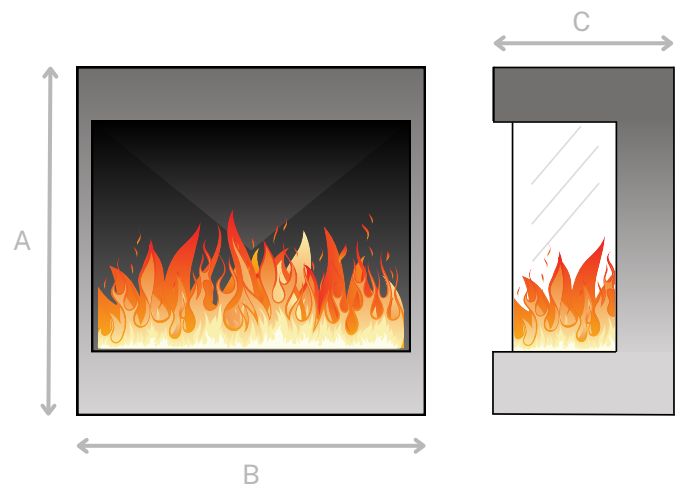
Width B 1002mm

Depth C 300mm

Code | Colour AUBISIN1030BLK

Available with 3 glass types

2 Year Warranty



Product Specification

Flame Effect Single

Flame Colour Orange

Log Set British Woodland

Engine Flame Sinton

Fuel Type Electric

Controls Remote

E-Smart Yes

App Technology Yes

Heat Output 1500w

Heat Settings Variable

Variable Thermostat Yes

Lamp Style LED

Power Cord 1.8m Kettle

Safety Cut Out Yes

Core Material Steel | Metal

Accessories

Product Specification

Launch Date July 2023

Brand Aura

Product Category Built Ins

Model Sinton 1030 FD

Country of Origin UK

UKCA Yes

NICA Yes

CE (Europe) Yes

LOT 20 Yes

WEEE Yes

Packaging

Box Height 780

Box Width 1410

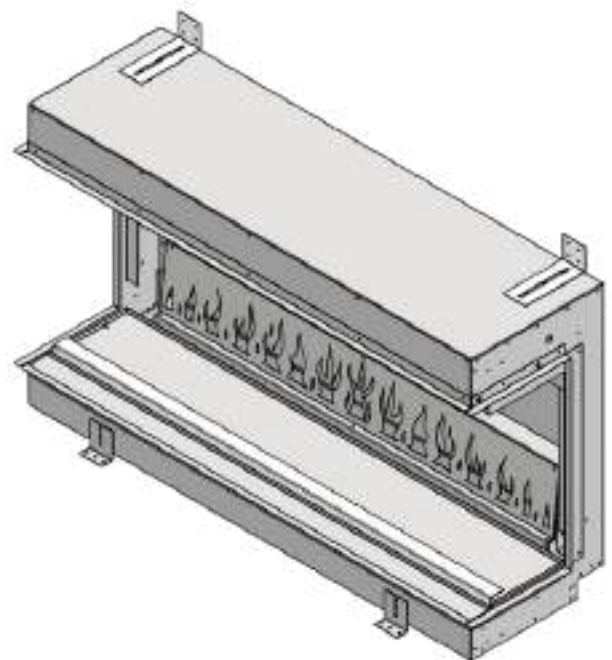
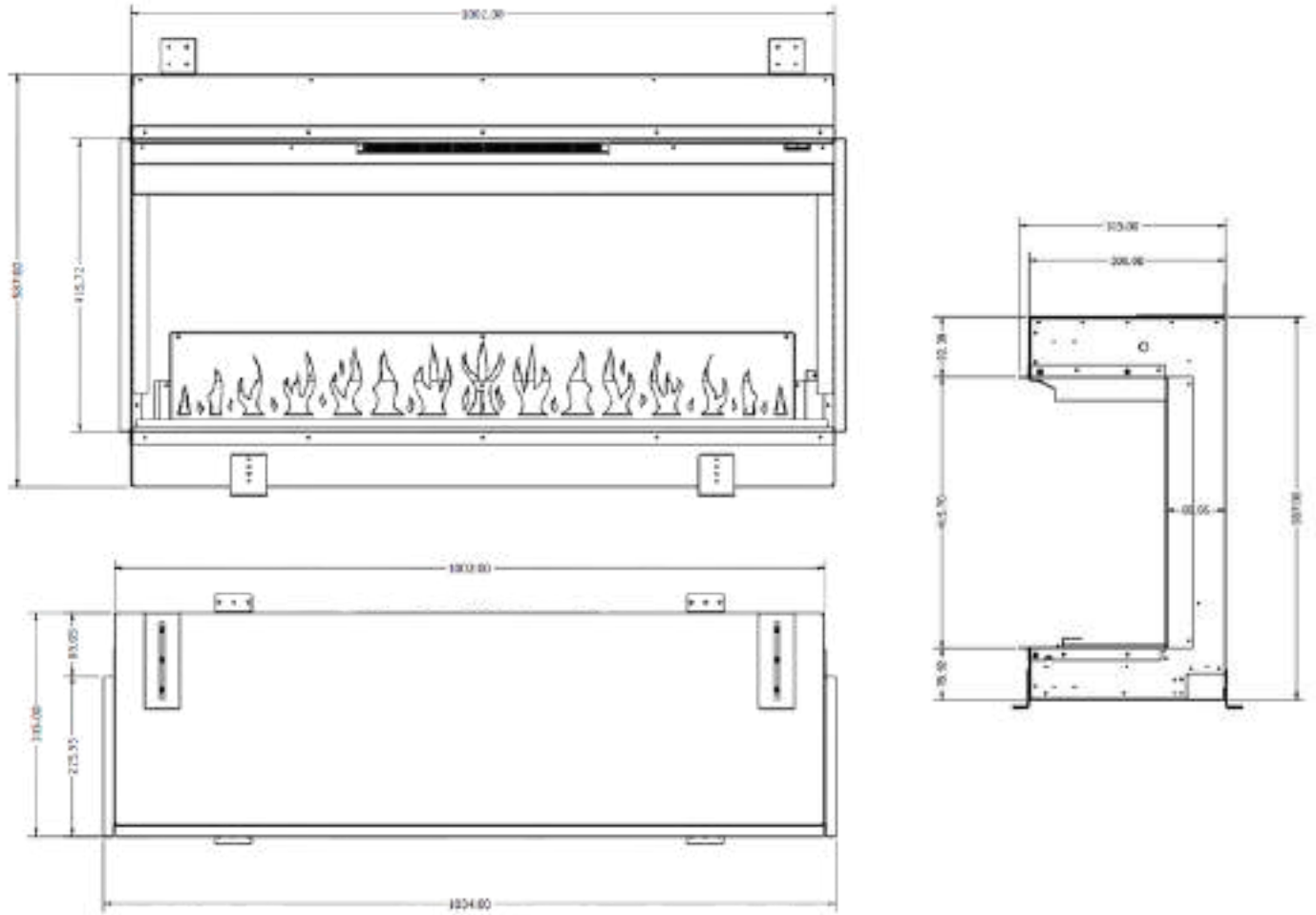
Box Depth 370

Pallet Width 1445

Pallet Depth 400

Units per Pallet 1 (Purpose built pallet)

Weight 40kg





**NOW WITH
REAL LOOSE
LOGS!**

Product Specification

Built In Electric Sinton 1250FD
(M1250x300)

Height A 587mm

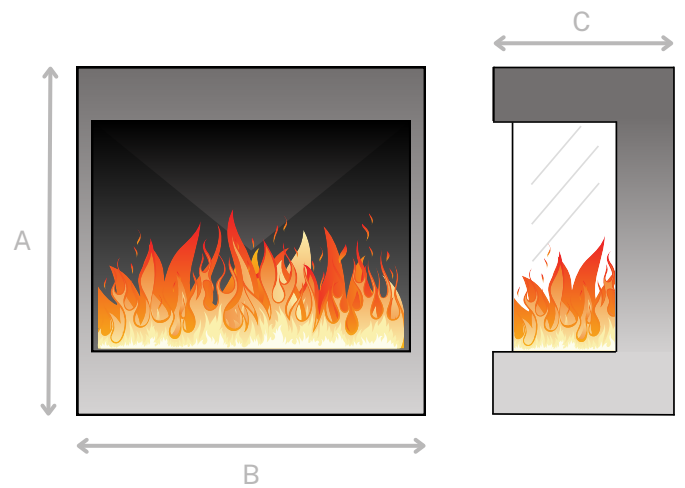
Width B 1253mm

Depth C 300mm

Code | Colour AUBISIN1250BLK

Available with 3 glass types

2 Year Warranty



Product Specification

Flame Effect Single

Flame Colour Orange

Log Set British Woodland

Engine Flame Sinton

Fuel Type Electric

Controls Remote

E-Smart Yes

App Technology Yes

Heat Output 1500w

Heat Settings Variable

Variable Thermostat Yes

Lamp Style LED

Power Cord 1.8m Kettle

Safety Cut Out Yes

Core Material Steel | Metal

Accessories

Product Specification

Launch Date July 2023

Brand Aura

Product Category Built Ins

Model Sinton 1250 FD

Country of Origin UK

UKCA Yes

NICA Yes

CE (Europe) Yes

LOT 20 Yes

WEEE Yes

Packaging

Box Height 780

Box Width 1410

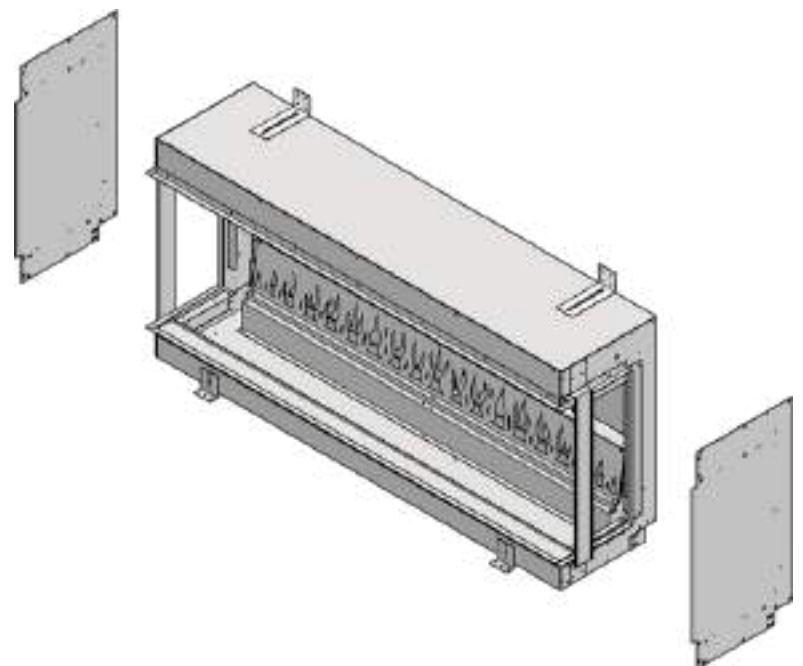
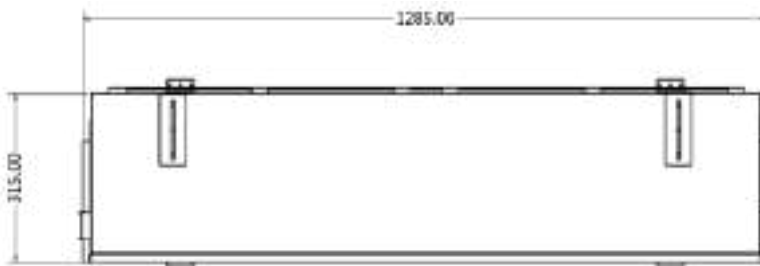
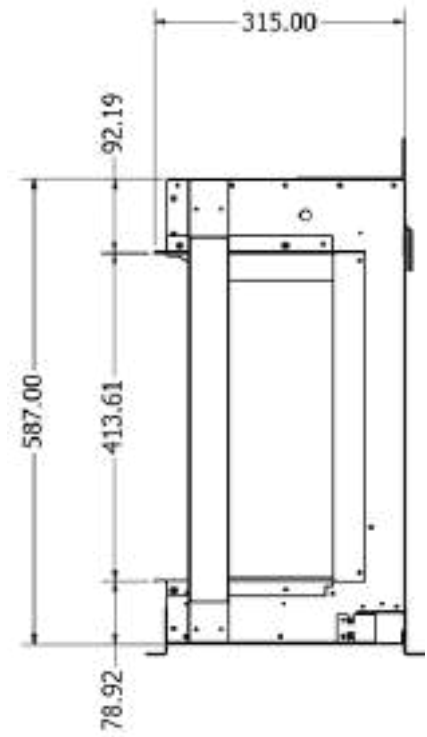
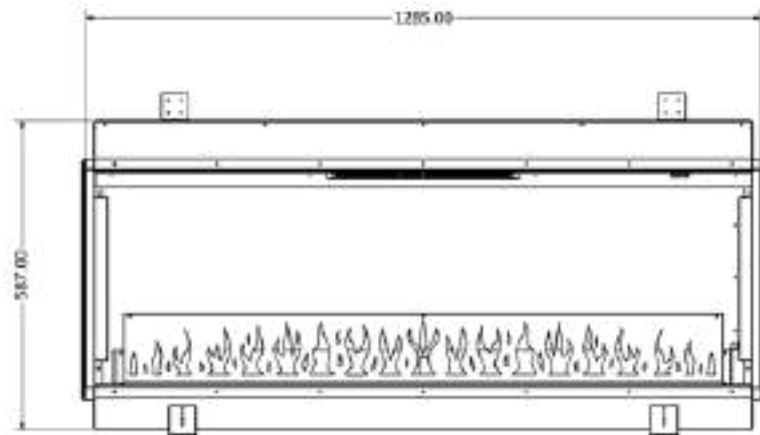
Box Depth 370

Pallet Width 1445

Pallet Depth 400

Units per Pallet 1 (Purpose built pallet)

Weight 50kg





**NOW WITH
REAL LOOSE
LOGS!**

Product Specification

Built In Electric Sinton 1500FD
(S1500x300)

Height A 587mm

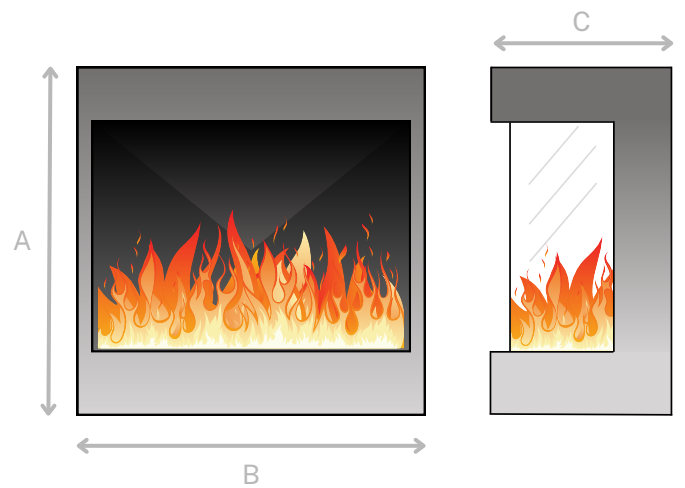
Width B 1503mm

Depth C 300mm

Code | Colour AUBISIN1500BLK

Available with 3 glass types

2 Year Warranty



Product Specification

Flame Effect Single

Flame Colour Orange

Log Set British Woodland

Engine Flame Sinton

Fuel Type Electric

Controls Remote

E-Smart Yes

App Technology Yes

Heat Output 1500w

Heat Settings Variable

Variable Thermostat Yes

Lamp Style LED

Power Cord 1.8m Kettle

Safety Cut Out Yes

Core Material Steel | Metal

Accessories

Product Specification

Launch Date July 2023

Brand Aura

Product Category Built Ins

Model Sinton 1500 FD

Country of Origin UK

UKCA Yes

NICA Yes

CE (Europe) Yes

LOT 20 Yes

WEEE Yes

Packaging

Box Height 780

Box Width 1690

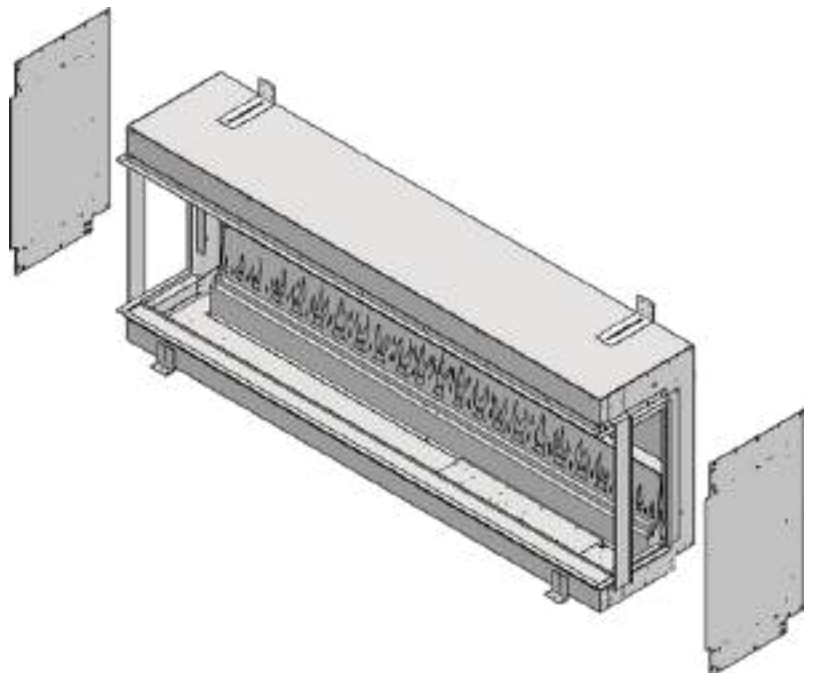
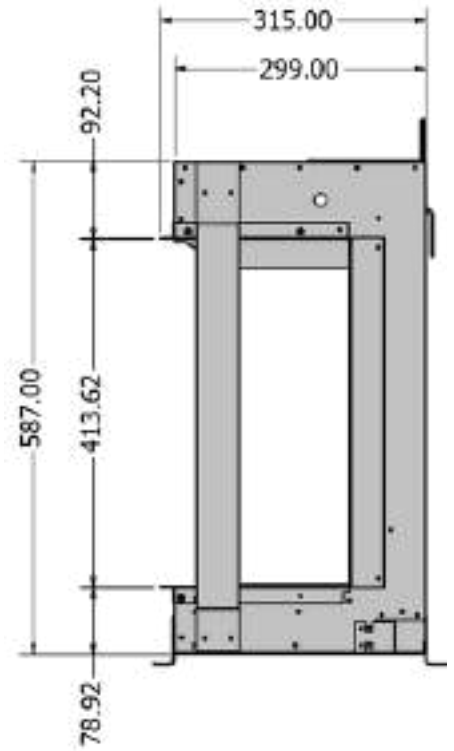
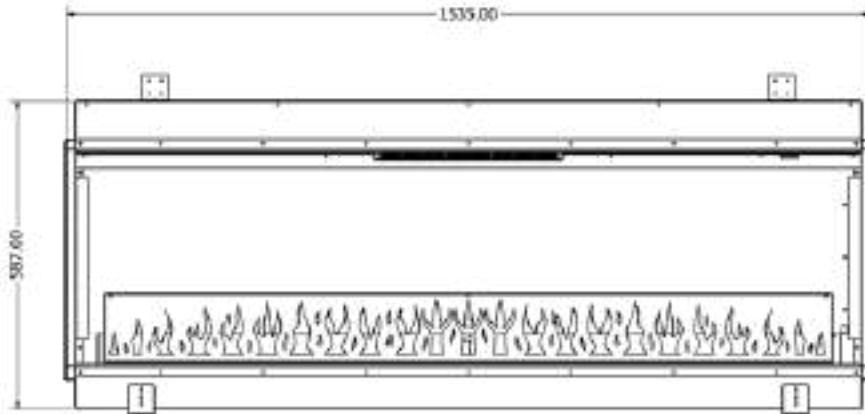
Box Depth 450

Pallet Width 1700

Pallet Depth 440

Units per Pallet 1 (Purpose built pallet)

Weight 60kg

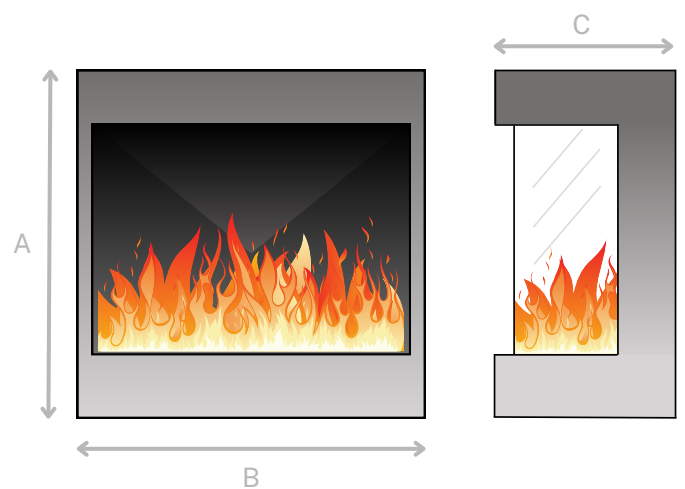




**NOW WITH
REAL LOOSE
LOGS!**

Product Specification

Built In Electric	Sinton 1800FD (S1800x300)
Height A	587mm
Width B	1753mm
Depth C	300mm
Code Colour	AUBISIN1800BLK
Available with 3 glass types	
2 Year Warranty	



Product Specification

Flame Effect Single

Flame Colour Orange

Log Set British Woodland

Engine Flame Sinton

Fuel Type Electric

Controls Remote

E-Smart Yes

App Technology Yes

Heat Output 1500w

Heat Settings Variable

Variable Thermostat Yes

Lamp Style LED

Power Cord 1.8m Kettle

Safety Cut Out Yes

Core Material Steel | Metal

Accessories

Product Specification

Launch Date July 2023

Brand Aura

Product Category Built Ins

Model Sinton 1800 FD

Country of Origin UK

UKCA Yes

NICA Yes

CE (Europe) Yes

LOT 20 Yes

WEEE Yes

Packaging

Box Height 810

Box Width 2120

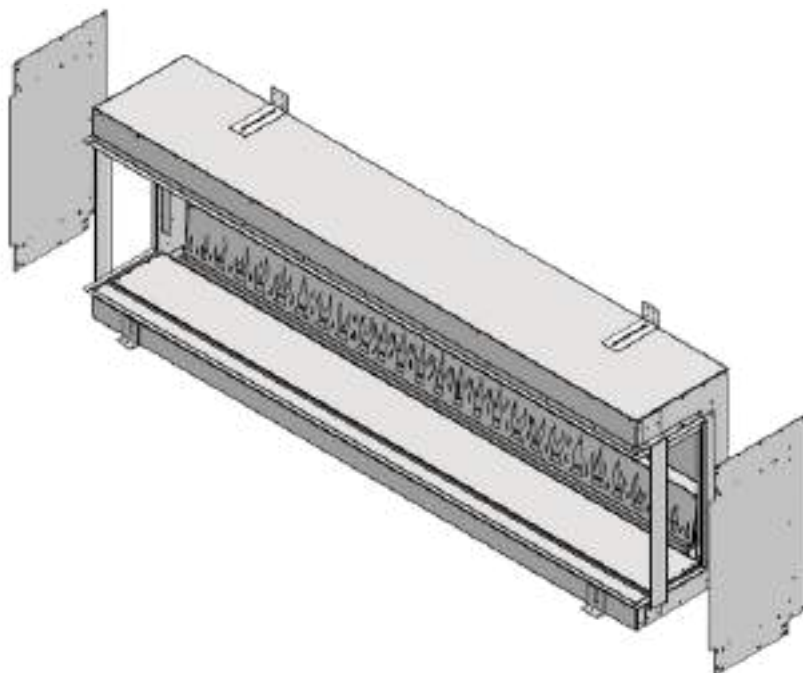
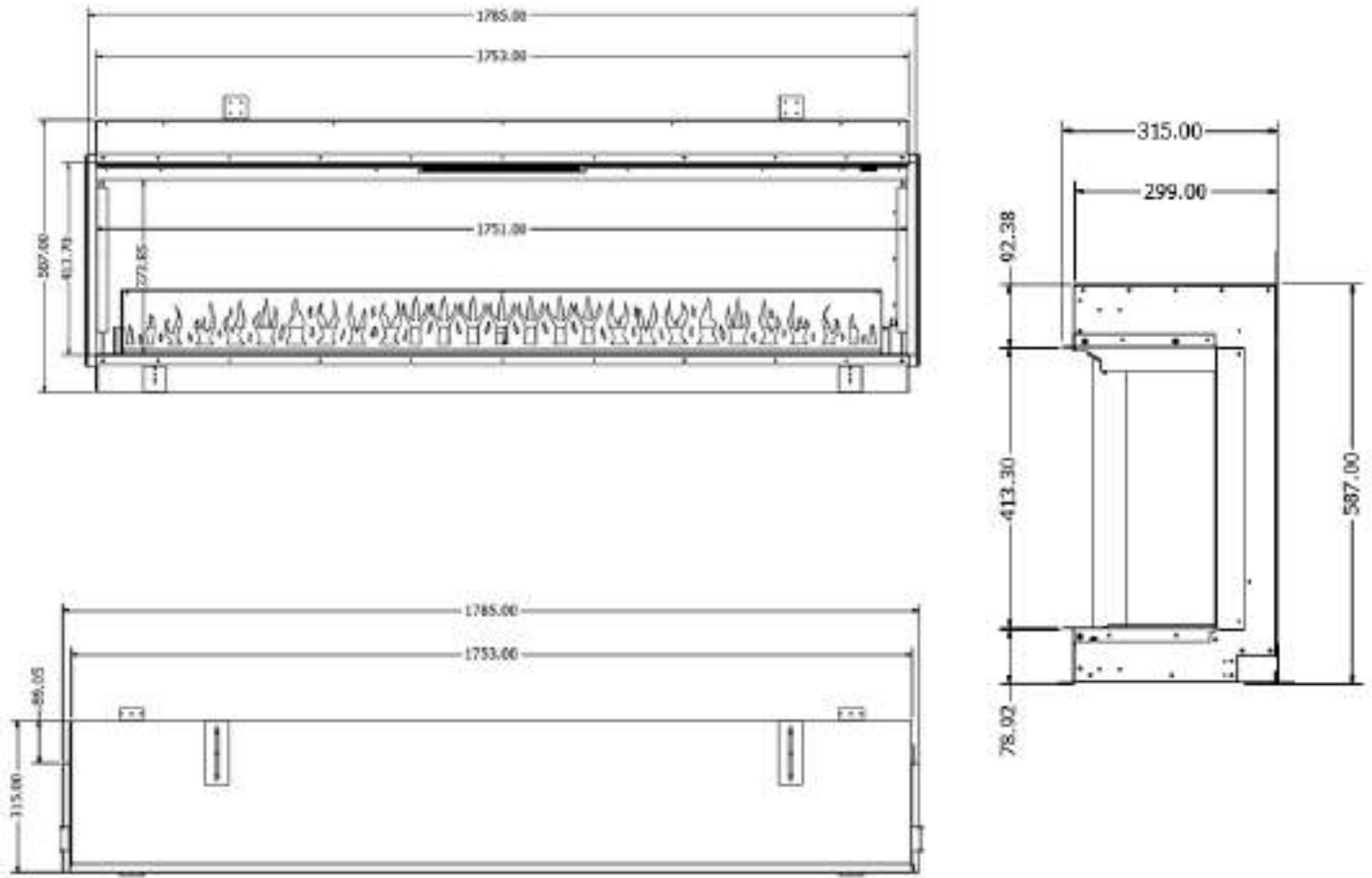
Box Depth 410

Pallet Width 2140

Pallet Depth 414

Units per Pallet 1 (Purpose built pallet)

Weight 70kg





Beautiful Warmth

1 Evonic House, Clifford Park, Clifford Lane,
Stratford-upon-Avon, Warwickshire, CV37 8HW
TEL: 01789 263868 | FAX: 01789 293080
www.aura-fires.co.uk | sales@aura-fires.co.uk

